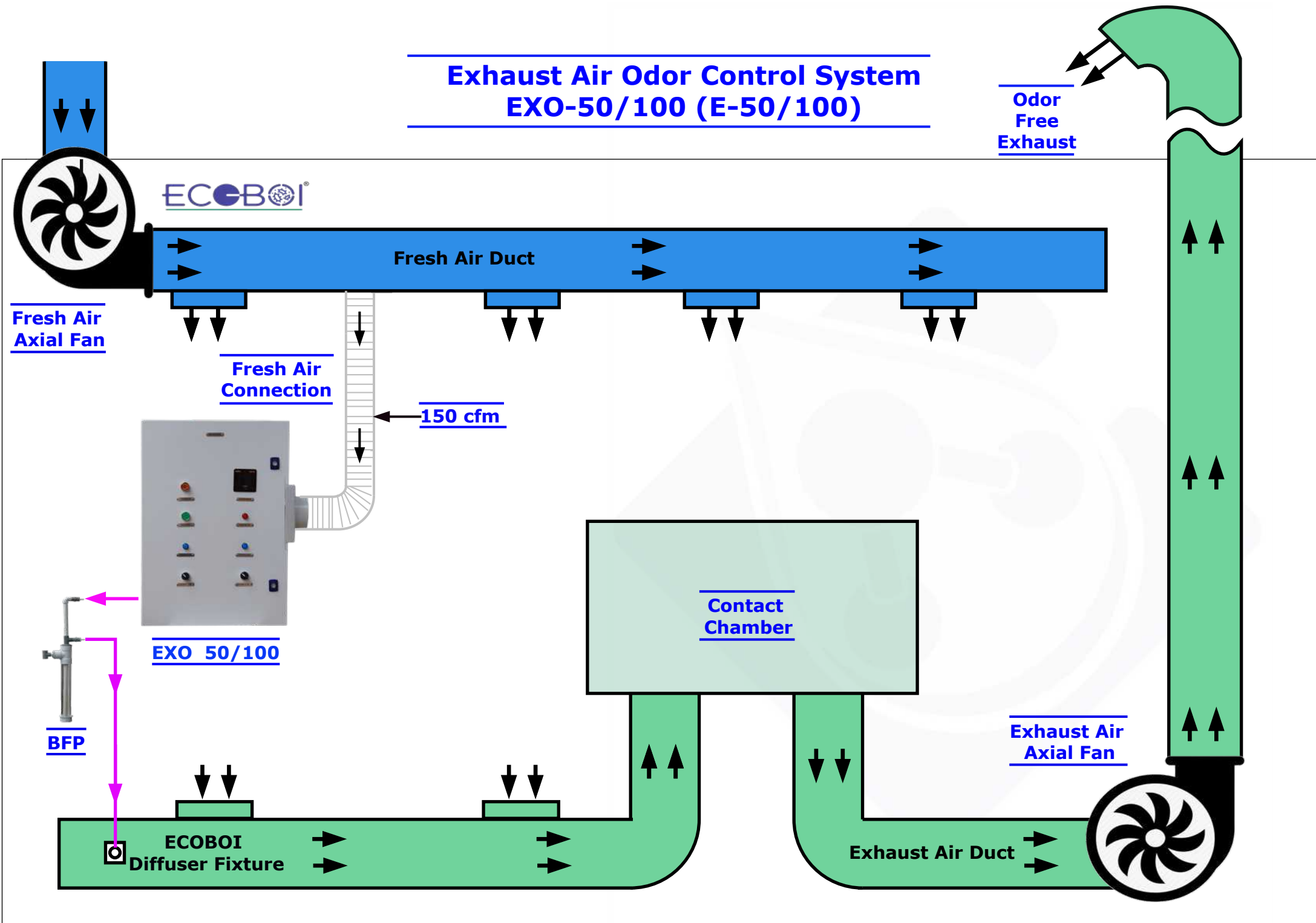


Exhaust Air Odor Control System EXO-50/100 (E-50/100)



Fresh Air Axial Fan

Fresh Air Connection

150 cfm

EXO 50/100

BFP

ECOBOI Diffuser Fixture

Contact Chamber

Exhaust Air Axial Fan

Exhaust Air Duct

Odor Free Exhaust